

Air Stoves



The energy produced by the combustion of the biomass is transmitted into the air through a high efficiency exchanger and is driven by a convector fan towards the room to be heated.

Ecoforest products are designed to cover both aesthetic and energetic needs of each home with an easy, fast and economic installation.

Take care of the environment. By installing an air stove you will stop emitting CO₂ into the atmosphere, thus reducing the greenhouse effect and climate change.



BOLONIA

● Ref. 20878
○ Ref. 20879



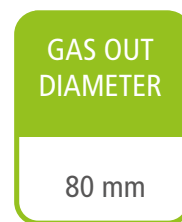
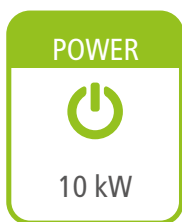
A+

EEl = 127



Performance: 92,9 %

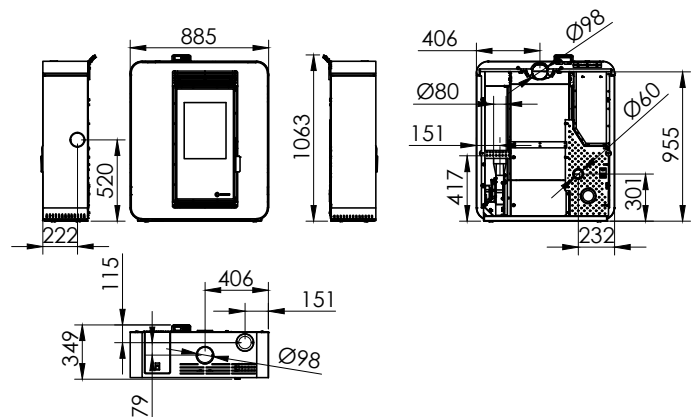
Autonomy: 19h - 9h



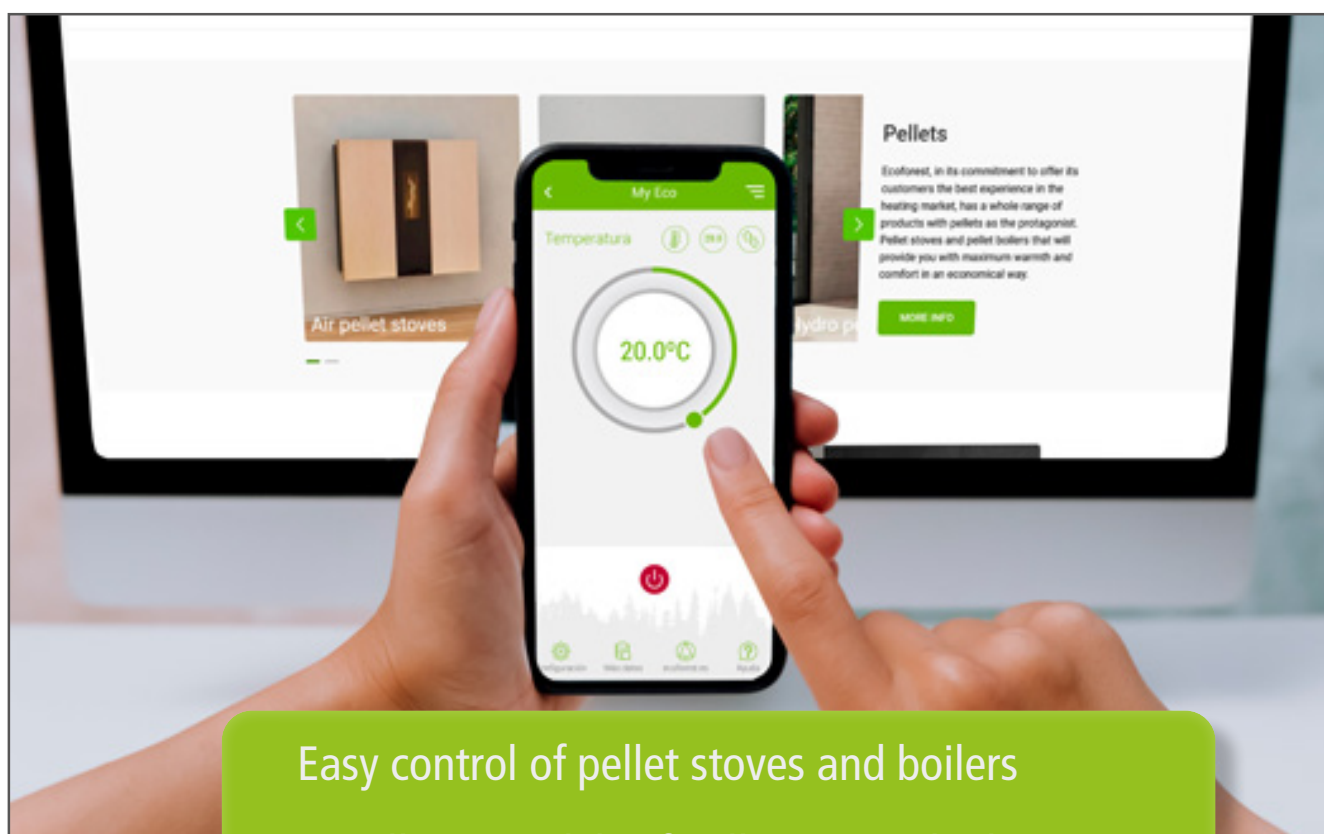
Including

Pellets / Ducted Air / Stove

- Airtight (Passive house).
- Automatic modulation of combustion air, supply of pellets and convection air.
- Exclusive Ecoforest electronics.
- Wifi and internet-based control.
- Control and programming by room temperature or power, with power modulation.
- Multi-fuel (pellets, almond shell, olive stone).
- Vacuum cleaning system.
- Multiple security systems.
- Stainless steel burning pot.
- Daily cleaning-free finned heat exchanger.
- Hearth with cast iron.
- One ducted air outlet, top or rear, max. length 7 metres.
- Direct air outlet front and/or ducted (top or rear).
- Top or rear smoke outlet possibility (internal flue pipes not included).
- Front in black tempered glass.
- ecoSILENCE mode.
- Air intake diameter: 60 mm.



App Ecoforest



Easy control of pellet stoves and boilers

For all our models of pellet stoves, hydro-stoves
and pellet boilers

Easy access to system settings





Ecoforest equipments comply with the Ecodesign framework, according to the (UE) 2015/1185 regulation.

Ecoforest declines all responsibility for possible errors contained in this document, reserving the right to make at any time and without prior notice the modifications deemed appropriate, for technical or commercial reasons. The availability of the equipment will always be confirmed by Ecoforest. The inclusion in this document does not mean the immediate availability of the equipment.