



ATV - DHW Glass lined thermal store

ATK - DHW Keramtech lined thermal store

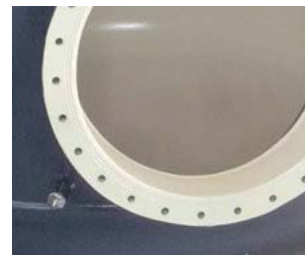
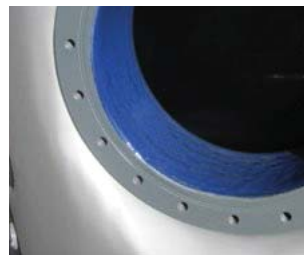
Buffer vessel for the storage of domestic hot water (DHW) produced by external sources (boilers, PHE).

The cylinder is made of carbon steel and is internally protected by glass lining (for capacities up to 2.000 litre) or with Keramtech ceramic lining (for capacities from 2000 to 5000 litre).

The inspection hatch can be also used to equip the cylin-

der with an immersion heater. These buffer vessels can also be combined with our Indirect fresh water units (HWP I at page 238) in order to be used on medium/big size systems of DHW production with storage tanks. For small applications, buffer vessel with on board plate heat exchangers are also available (Mod. PRV, see page 230).

APPLICATION



TECHNICAL FEATURES

DHW cylinder

General features

	ATV	ATK
Material	S 235 Jr glass lined	S 235 Jr Keramtech lined
Internal protective treatment	Enamelling according to DIN 4753.3	Alimentary epoxy-ceramic lining
External protective treatment	Anti rust protection + epoxy painting	Anti rust protection + epoxy painting
Rating (P max. / T max.)	8 bar / 95°C	6 bar / 100°C
Cathodic protection	Magnesium anode	Magnesium anode
Capacity	200 - 2000 L	2000 - 5000 L
Warranty	5 years	
Insulation	- Soft insulation with polyester + PVC: Fire retardant class B2 (DIN 4102) - Hard insulation: - up to 2000 L with polyurethane foam + PVC: Fire retardant class B3 (DIN 4102) - from 2500 to 5000 L with polyester (15 mm) + polystyrene (85 mm) + PVC: Fire retardant class B2 (DIN 4102)	
In compliance with	- Pressure Equipment Directive (PED) 2014/68/UE Art. 4 Para 3 - Italian MOH specifications (products suitable to contain potable water) - Energy related Products (Erp) Directive 2009/125/CE	

ACCESSORIES (page 218)



Impressed current electronic anode



Electronic control unit



Thermostat



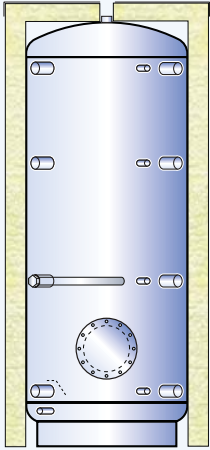
Thermometer



1 1/2 electric immersion heater



Electric immersion heater over flange

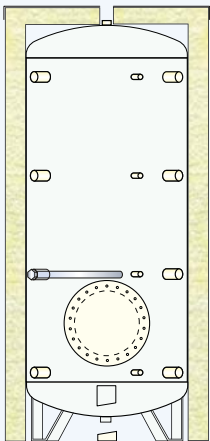


ATV - Hard insulation with rigid polyurethane foam and PVC jacket

CODE	INSULATION THICK. (mm)	ErP CLASS	HEAT LOSS S (W)	REAL CAPACITY (L)
ATV 00200 R	50	C	62,2	191,2
ATV 00300 R	50	C	73,7	291,7
ATV 00500 R	50	C	86,1	501,7
ATV 00800 R	100	C	113,8	754,9
ATV 01000 R	100	C	117,6	936,6
ATV 01500 R	100	C	136,7	1478,0
ATV 02000 R	100	C	149,2	1958,6

ATV - Soft insulation with polyester and PVC jacket

CODE	INSULATION THICK. (mm)	ErP CLASS	HEAT LOSS S (W)	REAL CAPACITY (L)
ATV 00800 F	130	C	132,6	754,9
ATV 01000 F	130	C	143,9	936,6
ATV 01500 F	130	C	169,2	1478,0
ATV 02000 F	130	C	182,7	1958,6



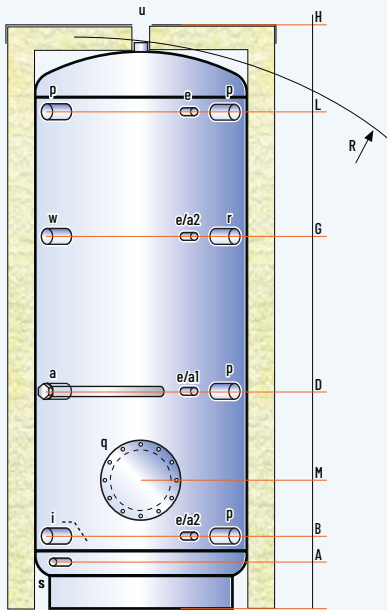
ATK - Hard insulation and PVC jacket

CODE	INSULATION THICK. (mm)	ErP CLASS	HEAT LOSS S (W)	REAL CAPACITY (L)
ATK 02000 R	100	C	151,4	1962,5
ATK 02500 R	100	-	-	2506,0
ATK 03000 R	100	-	-	2970,0
ATK 04000 R	100	-	-	3906,9
ATK 05000 R	100	-	-	5017,7

ATK - Soft insulation with polyester and PVC jacket

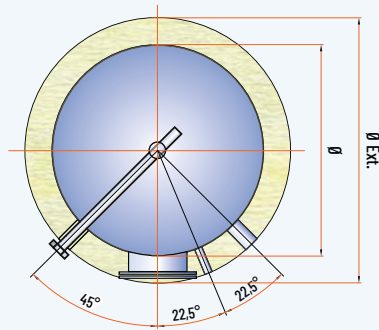
CODE	INSULATION THICK. (mm)	ErP CLASS	HEAT LOSS S (W)	REAL CAPACITY (L)
ATK 02000 F	130	C	185,6	1962,5
ATK 02500 F	100	-	-	2506,0
ATK 03000 F	100	-	-	2970,0
ATK 04000 F	100	-	-	3906,9
ATK 05000 F	100	-	-	5017,7

ATV

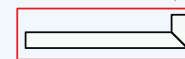
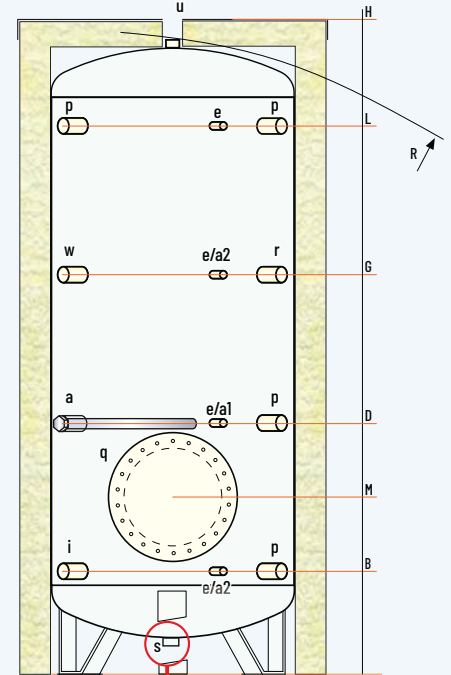


LEGEND

- a . Magnesium anode
- a1-a2. Opening for electronic anode
- e . Thermometer - Sensor
- i . Domestic cold water inlet
- p . Free connection
- q . DHW inspection hatch
- r . Recirculation
- s . Drain
- u . Domestic hot water outlet
- w . Opening for immersion heater



ATK



KDS - Drain Kit

MODEL	DIMENSIONS (mm)		Ø EXT **	R *	Electronic anode (optional)	WEIGHT (kg)
	Ø	H				
ATV 00200 R	450	1320	550	1440	a1 (EPS 375/125)	56
ATV 00300 R	500	1610	600	1730	a1 (EPS 375/125)	69
ATV 00500 R	650	1660	750	1835	a1 (EPS 375/125)	91
ATV 00800_	790	1750	990/1050	1745	a1 (EPS 375/125)	155
ATV 01000_	790	2110	990/1050	2095	a1 (EPS 375/125)	179
ATV 01500_	1000	2115	1200/1260	2145	a2 (EPS 375/125)	283
ATV 02000_	1100	2380	1300/1360	2465	a2 (EPS 375/125)	399
ATK 02000_	1100	2465	1300/1360	2465	a2 (EPS 375/125)	272
ATK 02500_	1200	2595	1400	2640	a2 (EPS 700/200)	319
ATK 03000_	1250	2795	1450	2835	a2 (EPS 700/200)	347
ATK 04000_	1400	2925	1600	2995	a2 (EPS 700/200)	504
ATK 05000_	1600	2955	1800	3090	a2 (EPS 700/200)	588

* For capacities from 200 to 500 litre, the tilt height refers to the insulated cylinder

** The insulation is removable except for models from 200 to 500 litre

MODEL	HEIGHTS (mm)						CONNECTIONS (GAS)					
	A	B	D	G	L	M	a pr	e	i u	s	w	q
ATV 00200 R	110	190	515	890	1075	350	1"¼	½"	1"¼	1"	1"½	220/290
ATV 00300 R	110	215	595	1080	1350	375	1"¼	½"	1"¼	1"	1"½	220/290
ATV 00500 R	135	240	615	1105	1375	445	1"¼	½"	1"¼	1"	1"½	220/290
ATV 00800_	150	275	655	1145	1410	450	1"¼	½"	1"½	1"	1"½	300/380
ATV 01000_	150	275	810	1355	1755	455	1"¼	½"	1"½	1"	1"½	300/380
ATV 01500_	235	340	765	1400	1725	520	1"¼	½"	2"	1"	1"½	300/380
ATV 02000_	265	370	930	1435	1945	575	1"¼	½"	2"	1"	1"½	350/430
ATK 02000_	-	475	1010	1515	1975	680	1"¼	½"	2"	1"¼	1"½	400/480
ATK 02500_	-	505	1040	1600	2105	715	1"¼	½"	2"	1"¼	1"½	400/480
ATK 03000_	-	515	1100	1730	2300	700	1"¼	½"	3"	1"¼	1"½	400/480
ATK 04000_	-	595	1190	1815	2380	780	1"¼	½"	3"	1"¼	1"½	400/480
ATK 05000_	-	600	1185	1815	2385	785	1"¼	½"	3"	1"¼	1"½	400/480

Disclaimer: this layout is purely indicative. It does not replace consultant's design

LEGEND

- | | |
|---|-----------------------------|
| 1 . Domestic water expansion vessel | 5 . Pressure reducing valve |
| 2 . Domestic water drain | 6 . DWH Recirculation pump |
| 3 . Domestic water safety valve (6 bar) | 7 . DWH 3-way valve |
| 4 . Strainer | |

