

Specifications

Wind-Free™ 4-Way Cassette R32

- 2-Step Cooling: Fast Cooling & Wind-Free™ Cooling.
- Four-way air supply via independently adjustable blades.
- Blade angle between 34° and 68°; blade width 84 mm.
- Built-in humidity sensor.
- High ceiling mode for heights up to 4.6 m (12.0-14.0 kW), 3.9 m (9.0-10.0 kW), 3.5 m (5.2-7.1 kW).
- Built-in condensation drain pump (750 mmH2O).
- SPI Ioniser (optional).



Indoor Unit		AC052RND4DKG/EU	AC071RND4DKG/EU	AC100RND4DKG/EU	AC120RND4DKG/EU	AC140RND4DKG/EU
Outdoor Unit - Mono-Phase						
Outdoor Unit - Tri-Phase						
Capacity						
Cooling (Min/Nominal/Max)	kW	1.00/5.00/6.50	1.50/7.10/8.70	3.00/10.00/12.00	3.50/12.00/13.50	3.50/13.40/15.00
Heating @ +7 °C (Min/Nominal/Max)	kW	1.00/6.00/7.00	1.90/6.00/9.00	2.20/11.20/15.50	3.50/13.20/15.50	3.50/15.50/18.00
Heating @ -5 °C	kW	5.90	7.80	11.00	12.90	15.20
Heating @ -15 °C	kW	5.20	7.00	9.70	11.50	13.50
Performance						
SEER ¹	W/W	7.6 A++	6.7 A++	7.0 A++	6.0 A++	6.6 A++
Power Consumption	kWh/a	230	371	500	TBA	-
Pdesignc	kW	5.0	7.1	10.0	TBA	-
EER	W/W	3.50	2.98	2.92	2.60	3.16
Energy Efficiency Heating						
SCOP ²	W/W	4.3 A++	4.2 A++	4.3 A++	4.0 A++	4.3 A++
Power Consumption	kWh/a	847	1,500	1,726	TBA	-
Pdesighn (average)	kW	2.60	4.50	5.30	TBA	-
CDP ³	W/W	4.03	3.27	3.61	3.18	3.16
Airflow Rate						
Indoor Unit (H/M/L)	m ³ /min	40.0	51.0	72.0	72.0	110.0
Sound Power						
Indoor Unit	dB(A)	49	53	61	61	61
Outdoor Unit	dB(A)	62	65	69	70	69
Sound Pressure						
Indoor Unit (H/M/L)	dB(A)	33/31/29	36/33/29	44/39/33	45/40/35	45/41/37
Outdoor Unit (H/L)	dB(A)	48/48	51/49	54/52	56/54	54/53
Fan/Outdoor Unit						
Type		BLDC	BLDC	BLDC	BLDC	BLDC
Power	W	65	65	97	97	97
Number of Fans	-	1	1	1	1	1
External Static Pressure						
Min/Std/Max	Pa	-	-	-	-	-
Operating Temperature Range						
Cooling	°C	-15-50	-15-50	-15-50	-15-50	-15-50
Heating	°C	-20.0-24.0	-20.0-24.0	-20.0-24.0	-20.0-24.0	-20.0-24.0
Electrical Data						
Power Source	Indoor Unit	Ø, #, V, Hz	1Ø, 2, 220-240 V, 50 Hz	1Ø, 2, 220-240 V, 50 Hz	1Ø, 2, 220-240 V, 50 Hz	1Ø, 2, 220-240 V, 50 Hz
	Outdoor Unit Mono-Phase	Ø, #, V, Hz	1Ø, 2, 220-240 V, 50 Hz	1Ø, 2, 220-240 V, 50 Hz	1Ø, 2, 220-240 V, 50 Hz	1Ø, 2, 220-240 V, 50 Hz
	Outdoor Unit Tri-Phase	Ø, #, V, Hz	-	3Ø, 4, 380-415 V, 50 Hz	3Ø, 4, 380-415 V, 50 Hz	3Ø, 4, 380-415 V, 50 Hz
Compressor Type	Outdoor Unit	Type	Twin BLDC	Twin BLDC	Twin BLDC	Twin BLDC
Power (Min/Nominal/Max)	Cooling	kW	0.33/1.43/2.30	0.35/2.38/3.60	0.60/3.42/4.70	0.90/4.60/5.30
	Heating	kW	0.25/1.49/2.50	0.35/2.45/3.95	0.46/3.10/5.40	0.75/4.15/5.60
Current Input	Cooling (Min/Std/Max)	A	1.5/6.5/9.5	2.0/10.3/16.0	3.0/15.2/20.4	4.3/20.1/24.0
	Heating (Min/Std/Max)	A	1.5/6.8/12.0	2.0/10.7/17.0	2.5/13.6/23.0	3.7/20.0/28.0
	Cooling - Tri-Phase (Min/Std/Max)	A	-	-	1.5/5.5/7.1	2.1/6.8/10.0
	Heating - Tri-Phase (Min/Std/Max)	A	-	-	1.2/5.1/8.4	2.1/6.3/12.0
Dimensions						
Net Dimensions (W x H x D)	Indoor Unit	mm	840 x 204 x 840	840 x 204 x 840	840 x 204 x 840	840 x 204 x 840
	Outdoor Unit	mm	880 x 638 x 310	880 x 798 x 310	940 x 998 x 330	940 x 1210 x 330
Net Weight	Indoor Unit	kg	14.5	14.5	18.0	18.0
	Outdoor Unit	kg	45.0	51.0	75.0	81.0
Refrigerant						



Indoor Unit		AC052RND4DKG/EU	AC071RND4DKG/EU	AC100RND4DKG/EU	AC120RND4DKG/EU	AC140RND4DKG/EU
Outdoor Unit - Mono-Phase						
Outdoor Unit - Tri-Phase						
Refrigerant						
Type		R32 (contains fluorinated greenhouse gases. GWP = 675)				
Factory Charging	kg	1.2/10 m	1.7/15 m	2.7/30 m	2.7/30 m	2.9/30 m
Charging Ton equivalent CO ₂	tCO ₂ e	0.81	1.35	1.82	1.82	1.96
Additional Refrigerant Charging	g/m	15	25	50	50	50
Piping Connections						
Liquid Pipe	ø, inch	1/4	1/4	3/8	3/8	3/8
Gas Pipe	ø, inch	1/2	5/8	5/8	5/8	5/8
Piping Length						
Min/Max	m	3/30	3/50	50	50	75
Piping Height	m	20	30	30	30	30
Piping Connections						
Drain Pipe	ø, mm	VP25 (OD 32, ID 25)	VP25 (OD 32, ID 25)	VP25 (OD 32, ID 25)	VP25 (OD 32, ID 25)	VP25 (OD 32, ID 25)
Others						
Panel						
Model Code		PC4NUFMAN	PC4NUFMAN	PC4NUFMAN	PC4NUFMAN	PC4NUFMAN
Net Dimensions (W x H x D)	mm	950 x 48 x 950	950 x 48 x 950	950 x 48 x 950	950 x 48 x 950	950 x 48 x 950
Net Weight	kg	6.3	6.3	6.3	6.3	6.3
Accessories						
Drain Pump		Included	Included	Included	Included	Included
Max. Lifting Height/Displacement	mm / litres/h	750/24	750/24	750/24	750/24	750/24

Accessories

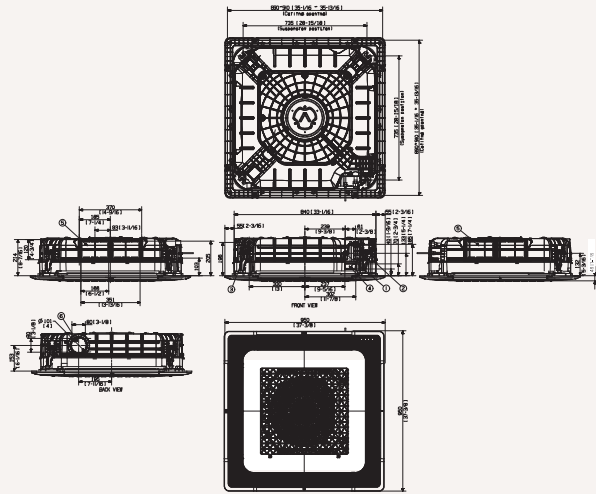
							
Wireless Remote Controller	Simple Type Controller	Touch Controller	Advanced Wired Controller	Panel (Mandatory)	External Thermostat	Wi-Fi Kit	SPI Ioniser
AR-EH03E	MWR-SHOON	MWR-SHT1N	MWR-WG00JN/ MWR-WG00KN	PC4NUFMAN	MRW-TA	MIM-H04EN	MSD-CAN1

¹Energy labels as shown are according to EU No 626/2011 (LOT10) label classification 2019, on a scale from D to A+++.

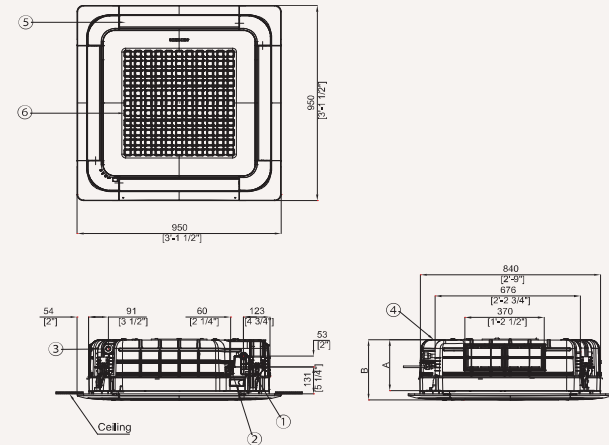
Dimensional drawings

Wind-Free™ 4-Way Cassette

AC052/071*N4DK*/EU



AC071JN4CEH/EU, AC100JN4CEH/EU, AC125JN4CEH/EU



AC090/100/120/140*N4DK*/EU

