

# Specifications

## 360 Cassette R32

- 360° air supply.
- Bladeless discharge thanks to three small booster fans.
- Built-in condensation drain pump (750 mmH2O).

- High ceiling mode for heights up to 4.6 m (12.8/14.0 kW), 3.9 m (11.2 kW), 3.5 m (4.5-9.0 kW).
- SPI Ioniser (optional).
- Circular or square cassette panel.



Indoor Unit		AC071RN4PKG/EU	AC100RN4PKG/EU	AC120RN4PKG/EU	AC140RN4PKG/EU
Outdoor Unit - Mono-Phase		AC071RXADKG/EU	AC100RXADKG/EU	AC120RXADKG/EU	AC140RXADKG/EU
Outdoor Unit - Tri-Phase		-	AC100RXADNG/EU	AC120RXADNG/EU	AC140RXADNG/EU
<b>Capacity</b>					
Cooling (Min/Nominal/Max)	kW	1.50/2.10/8.70	3.00/10.00/12.00	3.50/12.00/13.50	3.50/13.40/15.50
Heating @ +7 °C (Min/Nominal/Max)	kW	1.90/8.00/9.00	2.20/11.20/15.50	3.50/13.20/15.50	3.50/15.50/18.00
Heating @ +5 °C	kW	7.80	11.00	12.90	15.20
Heating @ +15 °C	kW	7.00	9.70	11.50	13.50
<b>Performance</b>					
Energy Efficiency Cooling	SEER <sup>1</sup>	W/W 4.7 <b>A++</b>	6.8 <b>A++</b>	6.0 <b>A+</b>	6.4
	Power Consumption	kWh/a 371	515	TBA	-
	Pdesignc	kW 71	10.0	TBA	-
	EER	W/W 2.60	3.08	2.69	2.81
Energy Efficiency Heating	SCOP <sup>2</sup>	W/W 4.2 <b>A+</b>	4.3 <b>A+</b>	4.0 <b>A+</b>	4.1
	Power Consumption	kWh/a 1,500	1,726	TBA	-
	Pdesignh (average)	kW 4.5	5.3	6.5	8.4
	COP <sup>3</sup>	W/W 3.23	3.50	3.26	3.35
Airflow Rate	Indoor Unit (H/M/L)	m <sup>3</sup> /min 51.0	72.0	72.0	110.0
Sound Power	Indoor Unit	dB(A) 53	61	61	61
	Outdoor Unit	65	69	70	69
Sound Pressure	Indoor Unit (H/M/L)	dB(A) 36/33/29	44/39/33	45/40/35	45/41/37
	Outdoor Unit (H/L)	51/49	54/52	56/54	54/53
Fan/Outdoor Unit	Type	Turbo	Turbo	Turbo	Turbo
	Power	W 65	97	97	97
	Number of Fans	1	1	1	1
External Static Pressure	Min/Std/Max	Pa			
Operating Temperature Range	Cooling	°C -15-50	-15-50	-15-50	-15-50
	Heating	°C -20.0-24.0	-20.0-24.0	-20.0-24.0	-20.0-24.0
<b>Electrical Data</b>					
Power Source	Indoor Unit	Φ, #, V, Hz 10, 2, 220-240 V, 50 Hz	10, 2, 220-240 V, 50 Hz	10, 2, 220-240 V, 50 Hz	10, 2, 220-240 V, 50 Hz
	Outdoor Unit Mono-Phase	Φ, #, V, Hz 10, 2, 220-240 V, 50 Hz	10, 2, 220-240 V, 50 Hz	10, 2, 220-240 V, 50 Hz	10, 2, 220-240 V, 50 Hz
	Outdoor Unit Tri-Phase	Φ, #, V, Hz -	30, 4, 380-415 V, 50 Hz	30, 4, 380-415 V, 50 Hz	30, 4, 380-415 V, 50 Hz
Compressor Type	Outdoor Unit	Type	Twin BLDC	Twin BLDC	Twin BLDC
Power (Min/Nominal/Max)	Cooling	kW 0.35/2.73/3.60	0.60/3.24/4.70	0.90/4.45/5.30	0.80/4.76/6.45
	Heating	kW 0.35/2.48/3.95	0.46/3.20/5.40	0.75/4.05/5.60	0.70/4.62/7.36
Current Input	Cooling (Min/Std/Max)	A 2.00/11.80/16.00	3.00/14.40/20.40	0.75/4.05/5.60	3.70/20.60/28.00
	Heating (Min/Std/Max)	A 2.0/10.7/17.0	3.0/14.4/20.4	3.7/17.7/26.0	3.7/20.6/28.0
	Cooling - Tri-Phase (Min/Std/Max)	A -	1.5/3/7.1	2.1/6.9/10.0	2.1/7.3/10.5
	Heating - Tri-Phase (Min/Std/Max)	A -	1.2/5.0/8.4	2.1/6.3/12.0	1.9/7.1/12.0
<b>Dimensions</b>					
Net Dimensions (W x H x D)	Indoor Unit	mm 947 x 281 x 947	947 x 365 x 947	947 x 365 x 947	947 x 365 x 947
	Outdoor Unit	mm 880 x 798 x 310	940 x 998 x 330	940 x 998 x 330	940 x 1,210 x 330



Indoor Unit		AC071RN4PKG/EU	AC100RN4PKG/EU	AC120RN4PKG/EU	AC140RN4PKG/EU
Outdoor Unit - Mono-Phase		AC071RXADKG/EU	AC100RXADKG/EU	AC120RXADKG/EU	AC140RXADKG/EU
Outdoor Unit - Tri-Phase		-	AC100RXADNG/EU	AC120RXADNG/EU	AC140RXADNG/EU
Net Weight	Indoor Unit	kg 20.2	23.5	23.5	25.5
	Outdoor Unit	kg 51.0	75.0	81.0	91.5
<b>Refrigerant</b>					
	Type	R32 (contains fluorinated greenhouse gases. GWP = 675)			
	Factory Charging	kg 1.7/15 m	2.7/30 m	2.7/30 m	2.9/30 m
	Charging Ton Equivalent CO <sub>2</sub>	tCO <sub>2</sub> e 1.15	1.82	1.82	1.96
	Additional Refrigerant Charging	g/m 25	50	50	50
Piping Connections	Liquid Pipe	ø, inch 1/4	3/8	3/8	3/8
	Gas Pipe	ø, inch 5/8	5/8	5/8	5/8
Piping Length	Min/Max	m 3/50	50	50	75
Piping Height	Max	m 30	30	30	30
Piping Connections	Drain Pipe	ø, mm VP25 (OD 32, ID 25)	VP25 (OD 32, ID 25)	VP25 (OD 32, ID 25)	VP25 (OD 32, ID 25)
<b>Others</b>					
Panel	Model Code	PC4NUNMAN	PC4NUNMAN	PC4NUNMAN	PC4NUNMAN
	Net Dimensions (W x H x D)	mm 1,050 x 66 x 1,050	1,050 x 66 x 1,050	1,050 x 66 x 1,050	1,050 x 66 x 1,050
	Net Weight	kg 2.7	2.7	2.7	2.7
Accessories	Drain Pump	Included	Included	Included	Included
	Max. Lifting Height/Displacement	mm / litres/h 750/24	750/24	750/24	750/24

### Accessories

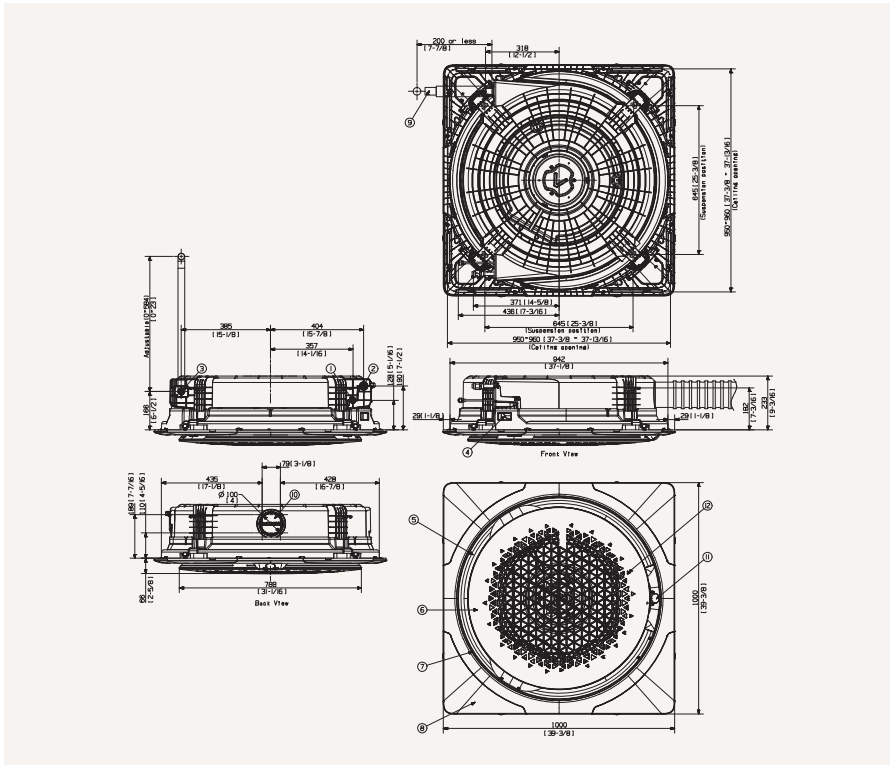
AR-KH03E	MWR-SH00N	MWR-SHT1N	MWR-WG00JN/ MWR-WG00KN	MIM-H04EN	MRW-TA	PC4NUDMAN	PC4NUNMAN	PC4NB0MAN	PC4NB1MAN	MSD-CANI

<sup>1</sup>Energy labels as shown are according to EU No 626/2011 (LOT10) label classification 2019, on a scale from D to A+++.

# Dimensional drawings

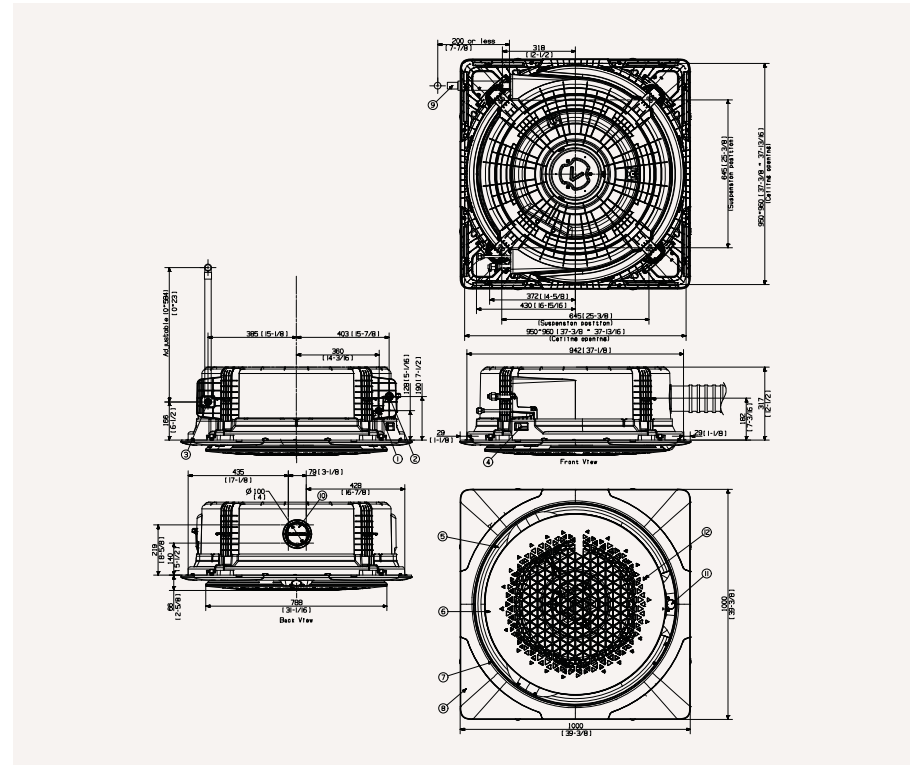
## 360 Cassette (square)

AC071\*NAPK\*/EU



NO	Name	Description
1	Liquid piping	ø6.35 (1/4)
2	Gas piping	ø15.88 (5/8)
3	Condensation drain piping	VP25 (OD 32, ID 25)
4	Power supply/communication wiring conduits	
5	Air supply	
6	Air intake	
7	Booster Fan hollow space	
8	Panel	
9	Condensation drain piping (accessory)	
10	Knock-out hole - external air	ø100 mm
11	Display	
12	Wireless remote controller receiver	

AC090/100/120/140\*NAPK\*/EU



NO	Name	Description
1	Liquid piping	ø9.52 (3/8)
2	Gas piping	ø15.88 (5/8)
3	Condensation drain piping	VP25 (OD 32, ID 25)
4	Power supply/communication wiring conduits	
5	Air supply	
6	Air intake	
7	Booster Fan hollow space	
8	Panel	
9	Condensation drain piping (accessory)	
10	Knock-out hole - external air	ø100 mm
11	Display	
12	Wireless remote controller receiver	