

Specifications

LSP Duct (drain pump included)

- High efficiency microchannel heat exchanger.
- Built-in electronic expansion valve (EEV) for refrigerant flow control (2000-step).
- Auto Restart function.
- Condensation drain pump.
- Long-life HD 40 permanent filter is included.
- Auto ESP function.
- SPI Ioniser.



Indoor Unit			AJ028TNLDEG/EU	AJ035TNLDEG/EU
Capacity				
Cooling	kW		2.6	3.5
Heating up to +7°C	kW		2.9	3.8
Performance				
Airflow Rate	m ³ /min		8.6/7.6/6.6	9.8/8.8/7.8
Sound Power	dB(A)		53	53
Sound Pressure	H/M/L		30/28/25	32/30/27
Electrical Data				
Power Source	Φ, #, V, Hz		10, 2, 220-240 V, 50 Hz	10, 2, 220-240 V, 50 Hz
Power Consumption	Cooling	W	80	80
	Heating	W	80	80
Current Input	Cooling	A	0.4	0.4
	Heating	A	0.4	0.4
Dimensions				
Net Dimensions (W x H x D)	mm		900 x 199 x 600	900 x 199 x 600
Net Weight	kg		23.3	23.3
Refrigerant				
Piping Connections	Liquid Pipe	ø, inch	1/4	1/4
	Gas Pipe	ø, inch	3/8	3/8
Piping Connections	Drain Pipe	ø, mm	VP25 (OD 32, ID 25)	VP25 (OD 32, ID 25)
Others				
Accessories	Drain Pump		MDP-E07S5EE3	MDP-E07S5EE3
	Max. Lifting Height/ Displacement	mm / litres/h	750/24	750/24
	Air Filter		Removable/Washable	Removable/Washable

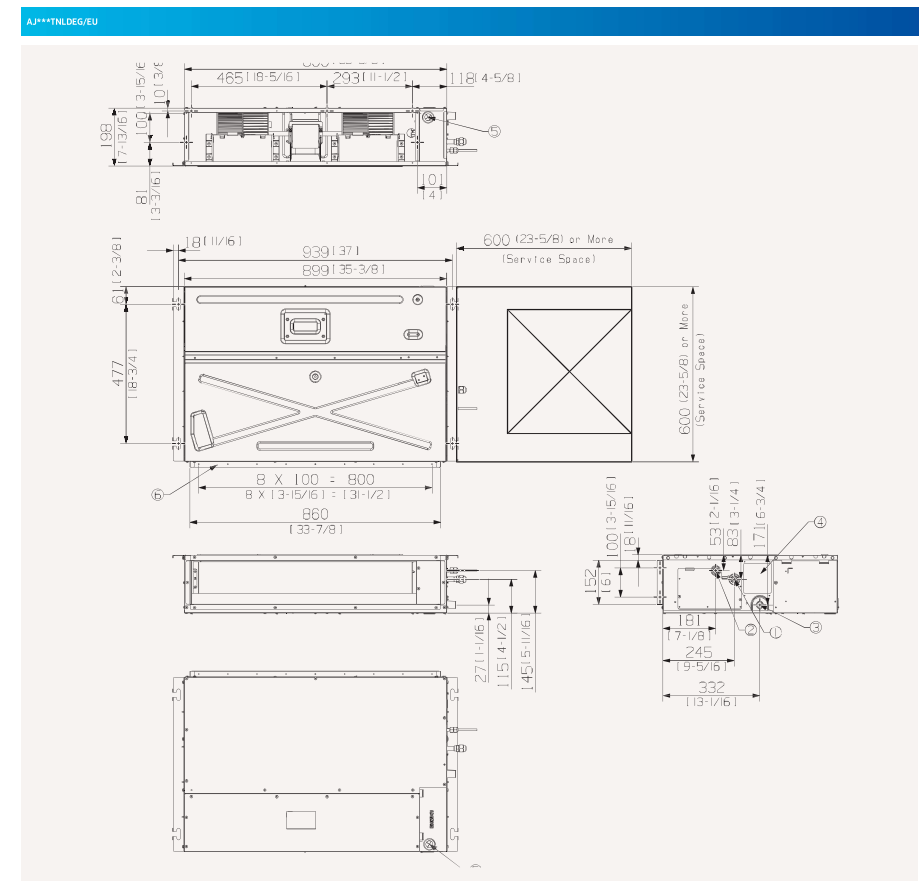
Accessories



Advanced Wired Controller	Simple Type Controller	Touch Controller	Wired Remote Controller	Wi-Fi Kit
MWR-WG0DJN/MWR-WG00KN	MWR-SH00N	MWR-SHT1N	MWR-WE13N	MIM-H04EN

Dimensional drawings

LSP Duct



NO	Name	Description
1	Gas pipe connection	ø9.52 (3/8)
2	Liquid pipe connection	ø6.35 (1/4)
3	Drain pipe connection	VP25 (OD 32, ID 25)
4	Knock-out hole for drain pump	Option kit
5	Power supply/communication wiring conduits	
6	Air outlet duct flange	