

Specifications

WindFree™ Comfort  

- Three-step cooling: Fast Cooling mode, Dehumidification mode and WindFree™ Cooling mode.
- AI Auto Comfort.
- Wi-Fi Control with Samsung SmartThings and Bixby voice controls.
- Compatible with wired remote controller and with centralized controller.



Indoor Unit			AR07TXFCAWKNEU	AR09TXFCAWKNEU	AR12TXFCAWKNEU	AR18TXFCAWKNEU
Capacity						
Capacity	Cooling	kW	2.0	2.5	3.5	5.0
	Heating @ +7 °C	kW	2.2	3.2	3.5	6.0
Performance						
Airflow Rate		m ³ /min	9.9	10.3	10.7	16.6
Sound Power	Cooling	dB(A)	54	54	56	58
Sound Pressure	H/L	dB(A)	36/19	37/19	38/19	41/25
Electrical Data						
Power Source		φ, V, Hz	10, 220-240 V, 50 Hz	10, 220-240 V, 50 Hz	10, 220-240 V, 50 Hz	10, 220-240 V, 50 Hz
Power Consumption	Cooling	W	30	30	30	40
	Heating	W	30	30	30	40
Current Input	Cooling	A	0.3	0.3	0.3	0.4
	Heating	A	0.3	0.3	0.3	0.4
Dimensions						
Net Dimensions (W x H x D)		mm	820 x 299 x 215	820 x 299 x 215	820 x 299 x 215	1,055 x 299 x 215
Net Weight		kg	8.9	8.9	8.9	12.2
Refrigerant						
Piping Connections	Liquid Pipe	ø, inch	1/4	1/4	1/4	1/4
	Gas Pipe	ø, inch	3/8	3/8	3/8	1/2
Piping Connections	Drain Pipe	ø, mm	ID 16	ID 16	ID 16	ID 16
Functions						
Airflow	WindFree™ Cooling		•	•	•	•
	Air Direction Control (Up/Down)		Auto	Auto	Auto	Auto
	Air Direction Control (Left/Right)		Auto	Auto	Auto	Auto
	Auto Fan Speed		•	•	•	•
Air Purification	Tri-Care Filter		•	•	•	•
	Easy Filter Plus		•	•	•	•
	Auto Clean (Self-Cleaning)		•	•	•	•
Operating Mode	AI Auto Comfort with Wi-Fi & MDS (direct/indirect)		•	•	•	•
	AI Auto Comfort with Wi-Fi		•	•	•	•
	Auto Mode (without Wi-Fi)		•	•	•	•
	Fast Cooling		•	•	•	•
	Good Sleep		•	•	•	•
	Eco		•	•	•	•
	Dehumidification		•	•	•	•
	Fan		•	•	•	•
	Quiet		•	•	•	•
	Other Functions	Samsung SmartThings		•	•	•
	MDS (Motion Detect Sensor)		•	•	•	•
	Indoor Temperature Display	88 Display	•	•	•	•
	Display On/Off		•	•	•	•
	Beep On/Off		•	•	•	•
	Auto Changeover		•	•	•	•
	Auto Restart		•	•	•	•



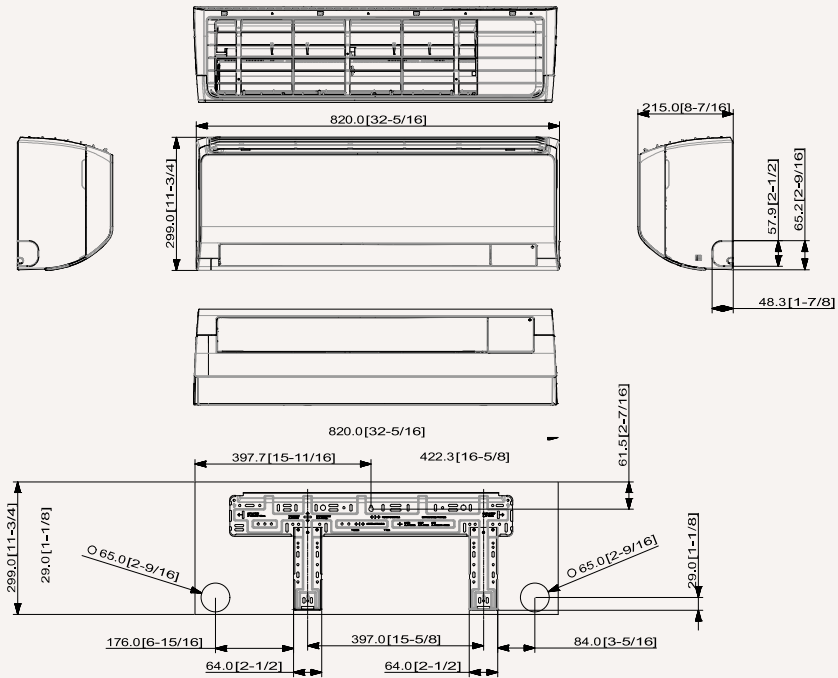
AR24TXFCAWKNEU
6.5
7.4
18.6
62
45/26
10, 220-240 V, 50 Hz
50
50
0.5
0.5
1,055 x 299 x 215
12.2
1/4
5/8
ID 16
•
Auto
Auto
•
•
•
•
•
•
•
•
•
•
•
•
•



Dimensional drawings

WindFree™ Comfort

AR07/D9/DTXFCWKNEU



AR18/24TXFCWKNEU

