



Zehnder ComfoGrid Linea

Technical specification for slot diffuser

General

Zehnder ComfoGrid Linea slot diffusers can be used in the supply or extract air area of comfort ventilation systems and ensure effective air distribution in living areas. With their modern design, which comes in three different high-quality surfaces, the new slot diffusers are a stylish and subtle addition to any modern living environment. Designed for ceiling and wall mounting, Zehnder ComfoGrid Linea slot diffusers are combined with Zehnder CSB housings, which form the connecting link between the air distribution system and the slot diffusers. The slot diffusers are available with the corresponding CSB housings in two widths, 400 and 600 mm, guaranteeing flexible mounting in any installation situation. The high air volume flow of up to 90 m³/h means that the slot diffusers can be used for a wide range of applications.

The housing is optimised for installation and is particularly easy to clean due to its plastic casing. Special dirt barriers help to prevent dirt from entering during installation, and the housing can be used with Zehnder round tubes of any diameter.

Benefits

- **Unique design:** three high-quality surfaces with black and white glass look or stainless steel (based on Zehnder Zenia and Deseo Verso decorative radiators); for seamless integration into the ceiling or wall; elegant, modern style with opaque front
- **Low installation height** of max. 6 mm
- **Diverse applications:** can be used for supply and extract air, available in two lengths (436 mm and 636 mm), universal connection options for round tubes with CSB-P housing
- **Time-saving installation** due to the tried-and-tested installation method with locking slides
- **High air volumes:** up to 90 m³/h possible
- **Optimum hygiene:** optional filters prevent dust from entering the air distribution system during extract air operation
- **Safe installation** as a result of additional fixing of the slot diffusers with a nylon cord to prevent them from falling, for example during a filter replacement



Zehnder ComfoGrid Linea

Technical specifications

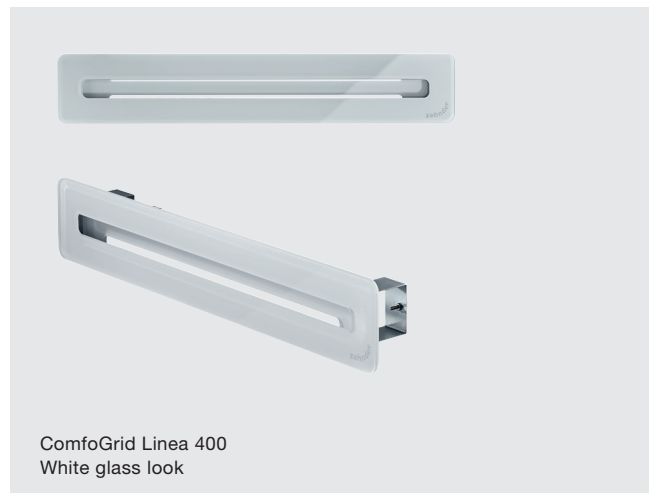
Data	
Material	Casing: galvanised sheet steel Cover: plexiglass, stainless steel
Surface	Black glass look White glass look Brushed stainless steel
Dimensions	ComfoGrid Linea 400: (L x W) 436 mm x 76 mm ComfoGrid Linea 600: (L x W) 636 mm x 76 mm
Recommended application	ComfoGrid Linea 400: up to 50 m ³ /h at nominal ventilation level ComfoGrid Linea 600: up to 90 m ³ /h at nominal ventilation level
Installation location	Wall and ceiling
Operating temperature	up to 60°C

Article numbers

Description	Article numbers
ComfoGrid Linea white 400 mm White glass look, high gloss	990321791
ComfoGrid Linea black 400 mm Black glass look, high gloss	990321790
ComfoGrid Linea Inox 400 mm Stainless steel, brushed	990321792
ComfoGrid Linea white 600 mm White glass look, high gloss	990321794
ComfoGrid Linea black 600 mm Black glass look, high gloss	990321793
ComfoGrid Linea Inox 600 mm Stainless steel, brushed	990321795

Accessories:

CSB-P 400 plastic housing 1 x ComfoTube 90 plus connection 2 x ComfoTube 75 connection	990 321 745
CSB-P 600 plastic housing 2 x Zehnder ComfoTube 90 connection 1 x Zehnder ComfoTube 110 connection	990 321 746
Extract air filter for CSB-P 400 ISO Coarse 55% (G3)	990 321 768
Extract air filter for CSB-P 600 ISO Coarse 55% (G3)	990 321 769



ComfoGrid Linea 400
White glass look



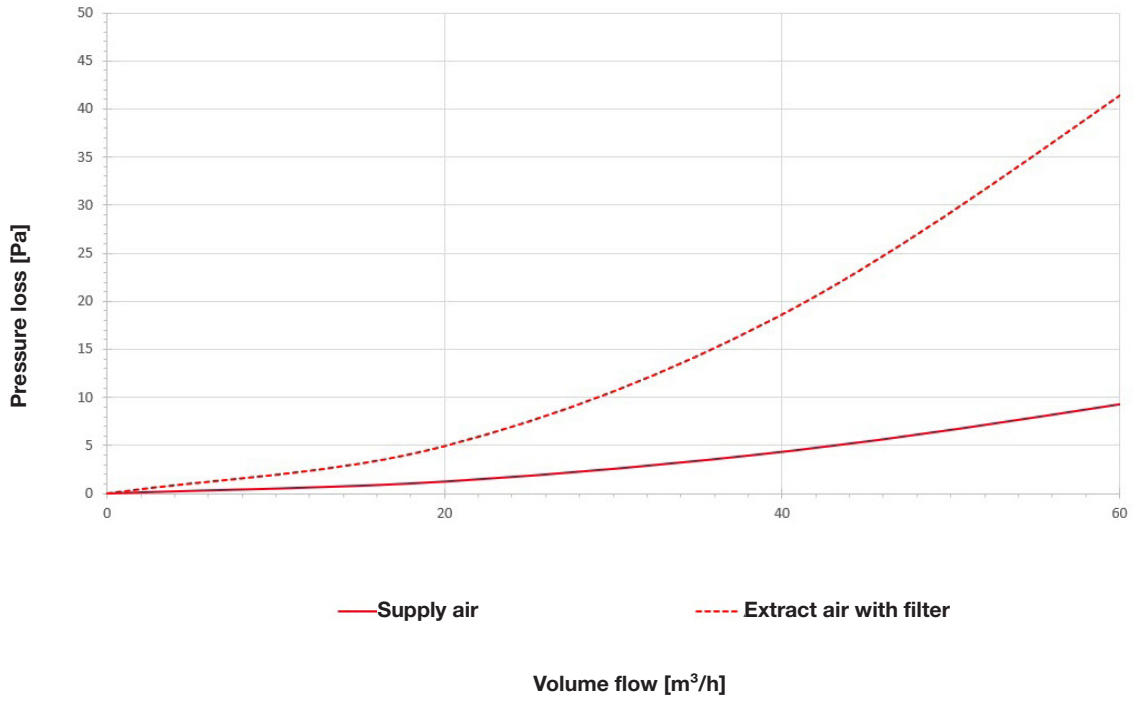
ComfoGrid Linea 400
Black glass look



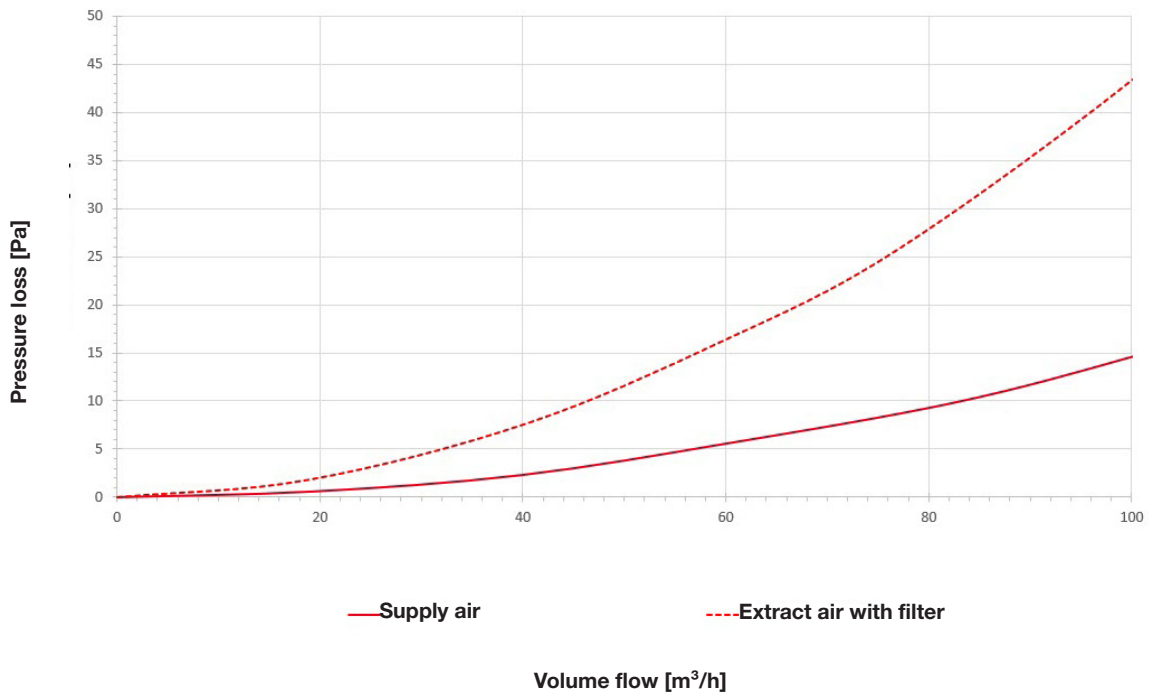
ComfoGrid Linea 600
Brushed stainless steel

Pressure loss graph

Zehnder ComfoGrid Linea 400

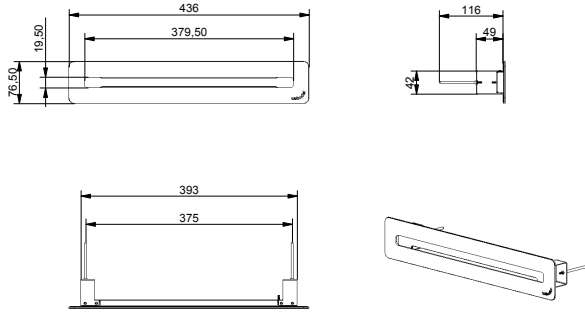


Zehnder ComfoGrid Linea 600

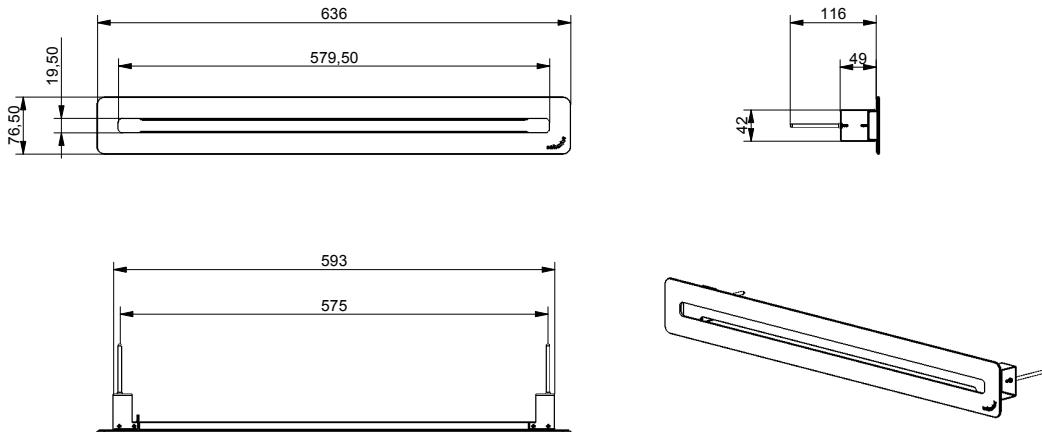


Dimensional drawing

Zehnder ComfoGrid Linea 400



Zehnder ComfoGrid Linea 600



Z-ZGSI-V0320-C-SY-TES-TS206, en, subject to change without notice